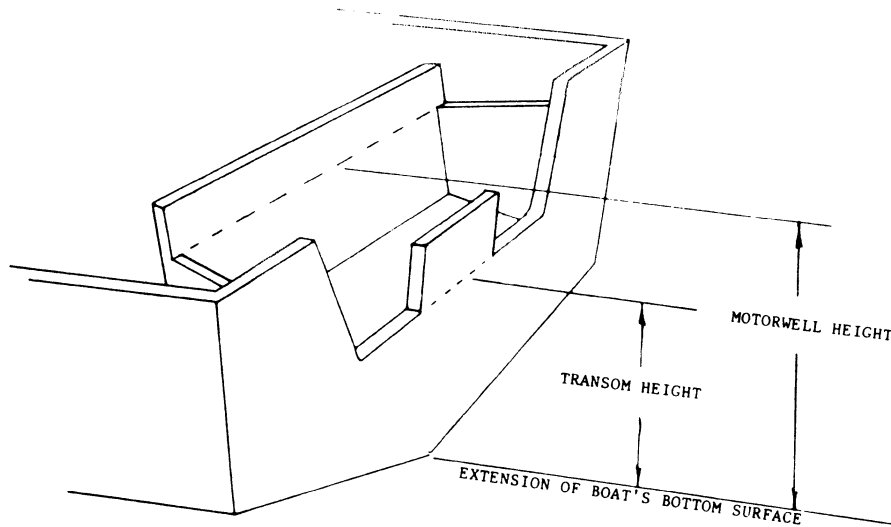


§ 183.5

33 CFR Ch. I (7-1-05 Edition)

Vessel includes every description of watercraft, other than a seaplane on the water, used or capable of being used as a means of transportation on the water.

FIGURE 183.3—TRANSOM AND MOTORWELL HEIGHT



[CGD 73-250, 40 FR 43856, Sept. 23, 1975, as amended by CGD 75-176, 42 FR 2681, Jan. 13, 1977; CGD 85-002, 51 FR 37574, Oct. 23, 1986; CGD 96-026, 61 FR 33669, June 28, 1996; 61 FR 36629, July 12, 1996; USCG-1999-5040, 67 FR 34760, May 15, 2002]

§ 183.5 Incorporation by reference.

(a) Certain materials are incorporated by reference into this part with the approval of the Director of the Federal Register in accordance with 5 U.S.C. 552(a). To enforce any edition other than the one listed in paragraph (b) of this section, notice of change must be published in the FEDERAL REGISTER and the material made available to the public. All approved material is available for inspection at the Recreational Boating Product Assurance Division, Washington, DC 20593-0001, and at the National Archives and Records Administration (NARA). For information on the availability of this material at NARA, call 202-741-6030, or go to: http://www.archives.gov/federal_register/code_of_federal_regulations/ibr_locations.html. All approved mate-

rial is available from the sources listed in paragraph (b) of this section.

(b) The materials approved for incorporation by reference in this part, and the sections affected are:

- Air Movement and Control Association*, 30 W. University Drive, Arlington Heights, IL 60004:
 - AMCA 210-74: Laboratory Methods of Testing Fans for Ratings—1974. §183.610
- American Boat and Yacht Council, Inc.*, 3069 Solomons Island Road, Edgewater, Maryland 21037-1416:
 - ABYC A-16 Electric Navigation Lights—1997. §183.810

Coast Guard, DHS

§ 183.25

American Society for Testing and Materials, 100 Barr Harbor Drive, West Conshohocken, PA 19428-2959:
 ASTM D 471-96, Standard Test Method for Rubber Property—Effect of Liquids. §§ 183.114; 183.516; 183.607; 183.620
 ASTM D 1621-94, Standard Test Method for Compressive Properties of Rigid Cellular Plastics. § 183.516
 ASTM D 1622-93, Standard Test Method for Apparent Density of Rigid Cellular Plastics. § 183.516
 ASTM D 2842-97, Standard Test Method for Water Absorption of Rigid Cellular Plastics. § 183.114
Institute of Electrical and Electronics Engineers, Inc., 445 Hoes Lane, Piscataway, NJ 08854:
 IEEE 45 IEEE Recommended Practice for Electrical Installations on Shipboard—1983. Cable Construction. § 183.435
National Fire Protection Association, 1 Batterymarch Park, Quincy, MA 02269:
 NFPA No. 70 National Electrical Code—1987. Articles 310 & 400. § 183.435
Naval Publications Forms Center, Customer Service—Code 1052, 5801 Tabor Avenue, Philadelphia, PA 19120:
 MILSPEC-P-21929B Plastic Material, Cellular Polyurethane, Foam-In-Place, Rigid—1970. § 183.516
Society of Automotive Engineers, Inc., 400 Commonwealth Drive, Warrendale, PA 15096:
 SAE J378 Marine Engine Wiring—1984. § 183.430
 SAE J557 High Tension Ignition Cable—1968. § 183.440
 SAE J1127 Battery Cable—1980. § 183.430
 SAE J1128 Low Tension Primary Cable—1975. § 183.430
 SAE J1527DEC85 Marine Fuel Hoses—1985. § 183.540
Underwriters Laboratories, Inc. (UL), 12 Laboratory Drive, Research Triangle Park, NC 27709-3995:
 UL 1114 Marine (USCG Type A) Flexible Fuel Line Hose—1987. § 183.540
 UL 1128 Marine Blowers—1977. § 183.610

UL 1426 Cables for Boats— 1987. § 183.435
 [CGD 87-009, 53 FR 36971, Sept. 23, 1988, as amended by CGD 96-026, 61 FR 33670, June 28, 1996; USCG-1999-5151, 64 FR 67176, Dec. 1, 1999; USCG-2000-7223, 65 FR 40059, June 29, 2000; USCG-1999-6580, 66 FR 55091, Nov. 1, 2001; 69 FR 18803, Apr. 9, 2004; USCG-2004-18057, 69 FR 34926, June 23, 2004]

Subpart B—Display of Capacity Information

§ 183.21 Applicability.

This subpart applies to monohull boats less than 20 feet in length, except sailboats, canoes, kayaks, and inflatable boats.

§ 183.23 Capacity marking required.

Each boat must be marked in the manner prescribed in §§ 183.25 and 183.27 with the maximum persons capacity in whole numbers of persons and in pounds, the maximum weight capacity in pounds, determined under §§ 183.33 through 183.43, and the maximum horsepower capacity determined under § 183.53 or the statement “This Boat Not Rated for Propulsion by a Motor”.

[CGD 78-034, 45 FR 2029, Jan. 10, 1980, as amended by USCG-1999-5832, 64 FR 34716, June 29, 1999]

§ 183.25 Display of markings.

(a) Each marking required by § 183.23 must be permanently displayed in a legible manner where it is clearly visible to the operator when getting the boat underway.

(b) The information required by § 183.23 must be displayed in the following manner:

(1) For outboard boats:

U.S. Coast Guard Maximum Capacities

XX Persons or XXX Pounds
 XXX Pounds, persons, motor, gear
 XXX Horsepower, motor
 or

U.S. Coast Guard Maximum Capacities

XX Persons or XXX Pounds
 XXX Pounds, persons, motor, gear
 XXX Horsepower, motor with remote steering
 XXX Horsepower, motor without remote steering

(2) For inboard boats and inboard-outboard boats: