

by 2010 and for each five-year increment thereafter. The interim targets shall be developed through the use of appropriate models and tools and shall provide a quantitative basis for evaluating progress towards other water-related needs of the region provided for in the Plan during the period of implementation. In developing the interim targets for the five-year increments, RECOVER shall use the Master Implementation Sequencing Plan as the basis for predicting the performance at a given time. RECOVER may recommend additional interim targets for implementation of CERP in addition to those initially developed and may propose revisions to the initial set of interim targets as new information is gained through adaptive management.

(2) In developing its recommendations for interim targets, RECOVER shall consider indicators including, but not limited to:

(i) The frequency of water restrictions in the Lower East Coast Service Areas at each time increment;

(ii) The frequency of water restrictions in the Lake Okeechobee Service Areas at each time increment;

(iii) The frequency of meeting salt-water intrusion protection criteria for the Lower East Coast Service Area at each time increment; and

(iv) The frequency of water shortage restrictions on lands covered under the Water Rights Compact Among the Seminole Tribe of Florida, the State of Florida, and the South Florida Water Management District at each time increment.

(c) *Process for establishing interim targets.* (1) The recommendations of RECOVER shall be provided to the Corps of Engineers and the South Florida Water Management District. These recommendations shall be provided no later than June 14, 2004. The proposed interim targets shall be developed by the Secretary of the Army and the Governor, in consultation with the Department of the Interior, the Environmental Protection Agency, the Department of Commerce, the Miccosukee Tribe of Indians of Florida, the Seminole Tribe of Florida, the Florida Department of Environmental Protection, and other Federal, State, and local agencies, and the South Florida Eco-

system Restoration Task Force. In considering the interim targets, the Secretary of the Army and the Governor, shall be provided with, and consider, the technical recommendations of RECOVER and any modifications to those recommendations by the Corps of Engineers or the South Florida Water Management District. The Secretary of the Army shall provide a notice of availability of the proposed interim targets to the public in the FEDERAL REGISTER and seek public comments. After considering comments of the public on the proposed interim targets, and incorporating any suggestions that are appropriate and consistent with the goals and purposes of the Plan, the Secretary of the Army and the Governor, shall establish the final interim targets, and the Secretary of the Army shall provide a notice of availability to the public in the FEDERAL REGISTER by no later than December 13, 2004, but not prior to the execution of the Interim Goals Agreement pursuant to § 385.38. Interim targets are intended to facilitate inter-agency planning, monitoring, and assessment throughout the implementation process and are not standards or schedules enforceable in court.

(2) In developing its recommendations for interim targets, RECOVER shall use the principles in paragraph (b) of this section.

(3) The Secretary of the Army and the Governor shall review the interim targets at a minimum every five years beginning five years after the establishment of the interim targets to determine if they should be revised and to determine what those revisions should be. The public shall also be provided with an opportunity to comment on the proposed revisions. The Secretary of the Army and the Governor may also revise the interim targets whenever appropriate as new information becomes available. Any revisions to the interim targets shall be established consistent with the process described in this section.

#### § 385.40 Reports to Congress.

(a) Beginning on October 1, 2005 and periodically thereafter until October 1, 2036, the Secretary of the Army and the Secretary of the Interior shall jointly

**§ 385.40**

**33 CFR Ch. II (7-1-06 Edition)**

submit to Congress a report on the implementation of the Plan as required by section 601(l) of WRDA 2000. Such reports shall be completed not less often than every five years.

(b) This report shall be prepared in consultation with the Environmental Protection Agency, the Department of Commerce, the Seminole Tribe of Florida, the Miccosukee Tribe of Indians of Florida, the Florida Department of Environmental Protection, the South Florida Water Management District, and other Federal, State, and local agencies and the South Florida Ecosystem Restoration Task Force.

(c) Such reports shall include a description of planning, design, and construction work completed, the amount of funds expended during the period covered by the report, including a detailed analysis of the funds expended for adaptive management, and the work anticipated over the next five-year period and updated estimates of total cost of the Plan and individual component costs and an explanation of any changes from the initial estimates contained in the "Final Integrated Feasibility Report and Programmatic Environmental Impact Statement," dated April 1, 1999.

(d) In addition, each report shall include:

(1) The determination of each Secretary, and the Administrator of the Environmental Protection Agency, concerning the benefits to the natural system and the human environment achieved as of the date of the report and whether the completed projects of the Plan are being operated in a manner that is consistent with the requirements of section 601(h) of WRDA 2000;

(2) Progress towards the interim goals established in accordance with §385.38 for assessing progress towards achieving the benefits to the natural system;

(3) Progress towards interim targets for other water-related needs of the region provided for in the Plan estab-

lished pursuant §385.39 for assessing progress towards achieving the benefits to the human environment; and

(4) A review of the activities performed by the Secretary pursuant to section 601(k) of WRDA 2000 and §385.18 and §385.19 as they relate to socially and economically disadvantaged individuals and individuals with limited English proficiency.

(e) The discussion on interim goals in the periodic reports shall include:

(1) A discussion of the performance that was projected to be achieved in the last periodic report to Congress;

(2) A discussion of the steps taken to achieve the interim goals since the last periodic Report to Congress and the actual performance of the Plan during this period;

(3) If performance did not meet the interim goals, a discussion of the reasons for such shortfall;

(4) Recommendations for improving performance; and

(5) The interim goals to be achieved in the next five years, including any revisions to the interim goals, reflecting the work to be accomplished during the next five years, along with a discussion of steps to be undertaken to achieve the interim goals.

(f) The discussion on interim targets in the periodic reports shall include:

(1) A discussion of the expected and actual performance of the Plan in achieving interim targets since the last periodic Report to Congress, including the reasons for any deviations from expected performance; and

(2) A discussion of the interim targets expected to be achieved during the next five years, including specific activities to achieve them and any recommendations for improving performance.

(g) In preparing the report to Congress required pursuant to this section, the Corps of Engineers and the Department of the Interior shall provide an opportunity for public review and comment, in accordance with §385.18.

# CERP Project Development Process

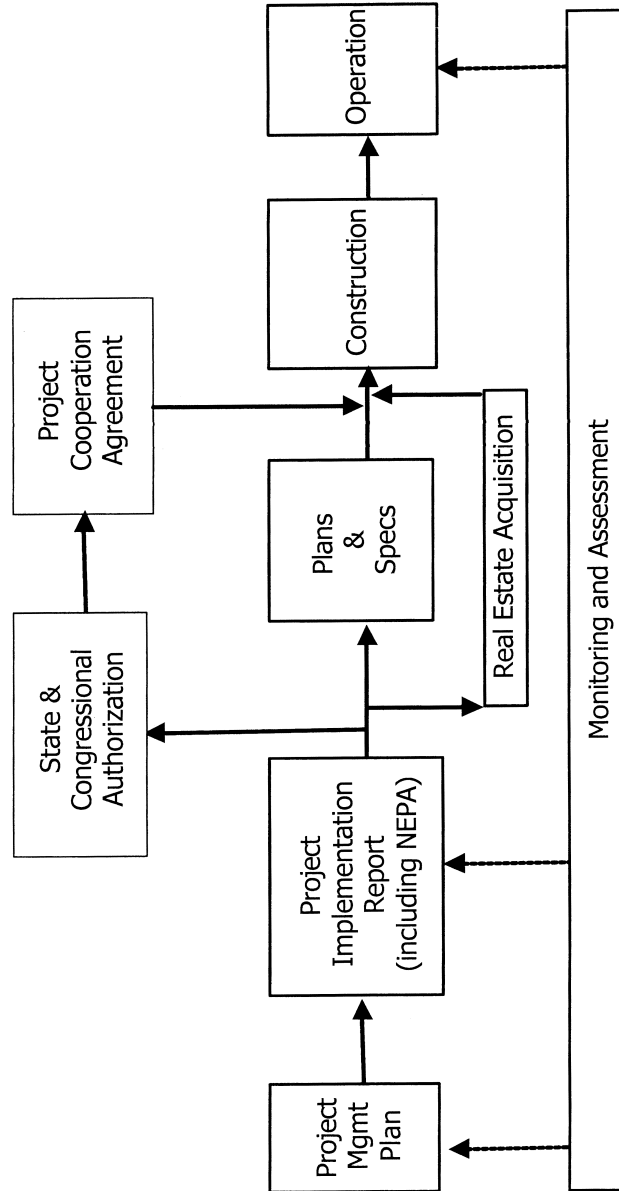


Figure 1

Appendix A

TYPICAL PROJECT IMPLEMENTATION REPORT (PIR) PROCESS

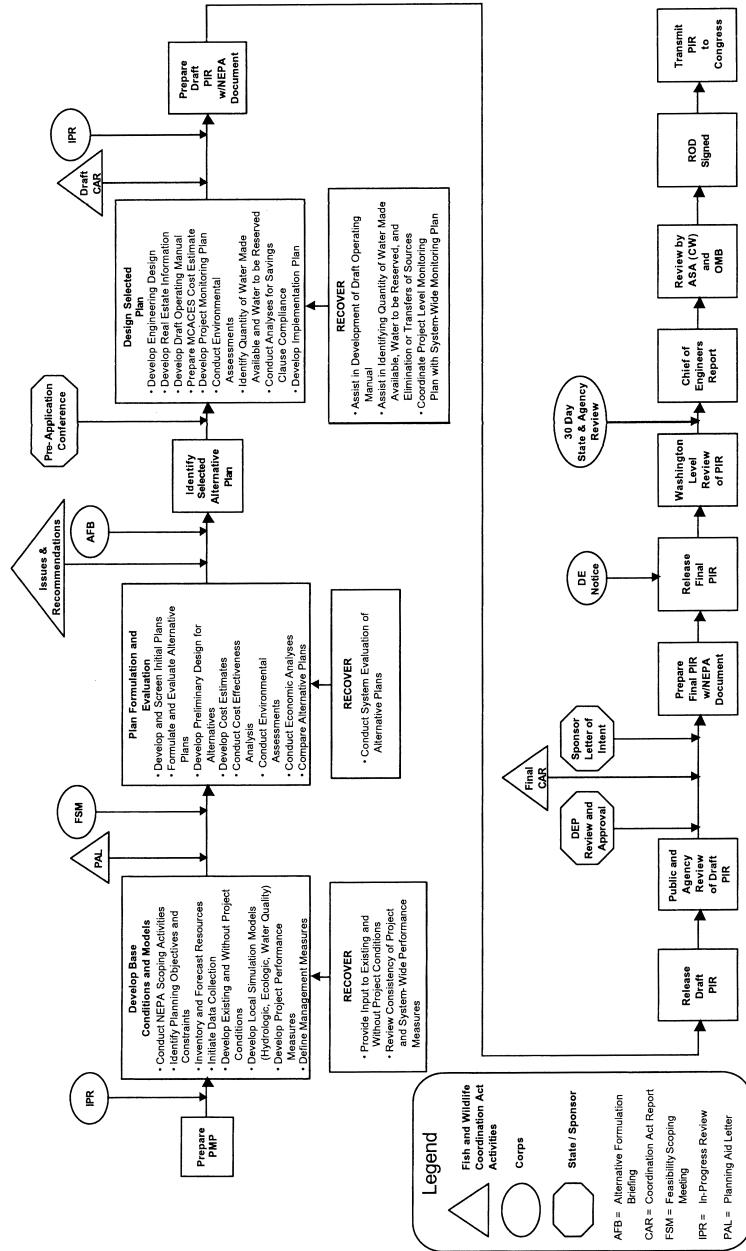


Figure 2

Appendix A