

§95.212

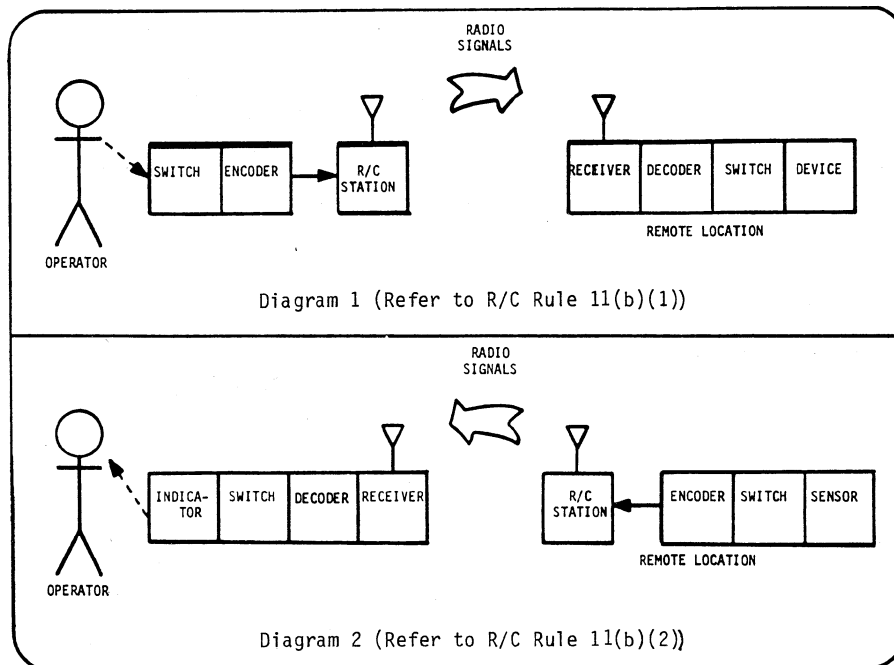
47 CFR Ch. I (10-1-06 Edition)

to establish communications with another station.)

(b) You may only use your R/C station for the following purposes:

(1) The operator turns on and/or off a device at a remote location (Refer to Diagram 1); or

(2) A sensor at a remote location turns on and/off an indicating device for the operator. (Refer to Diagram 2). Only Channels 26.995 to 27.255 MHz (see R/C Rule 7, §95.207(a)(1)) may be used for this purpose. (A remote location means a place distant from the operator.)



(c) Your R/C station may transmit any appropriate non-voice emission.

[48 FR 24890, June 3, 1983, as amended at 50 FR 37857, Sept. 18, 1985; 57 FR 40343, Sept. 3, 1992]

§95.212 (R/C Rule 12) What communications are prohibited?

You must not use an R/C station—

(a) In connection with any activity which is against federal, state or local law;

(b) To transmit any message other than for operation of devices at remote locations (no voice, telegraphy, etc.);

(c) To intentionally interfere with another station's transmissions;

(d) To operate another R/C transmitter by remote control (See R/C Rule 17, §95.217); or

(e) To transmit two-way communications.

(f) To transmit data. Tone or other signal encoding, however, is not considered to be data when only used either for the purpose of identifying the specific device among multiple devices that the operator intends to turn on/off, or the specific sensor among multiple sensors intended to turn on/off indicating device for the operator.

[48 FR 24890, June 3, 1983, as amended at 54 FR 8336, Feb. 28, 1989; 54 FR 20476, May 11, 1989]