

Federal Communications Commission

§ 95.211

not comply with the technical standards voids your authority to operate the station.

(b) You may examine a list of certificated transmitters at any FCC field office.

(c) Your R/C station may transmit with a transmitter assembled from a kit.

(d) You must not make, or have made, any internal modification to a certificated transmitter. (See R/C Rule 22.) Any internal modification to a certificated transmitter cancels the certification, and use of such a transmitter voids your authority to operate the station.

[63 FR 36610, July 7, 1998]

§ 95.210 (R/C Rule 10) How much power may I use?

(a) Your R/C station transmitter power output must not exceed the following value under any conditions:

Channel	Transmitter power (carrier power) (watts)
27.255 MHz	25
26.995-27.195 MHz	4
72-76 MHz	0.75

(b) Use of a transmitter which has power output in excess of that authorized voids your authority to operate the station.

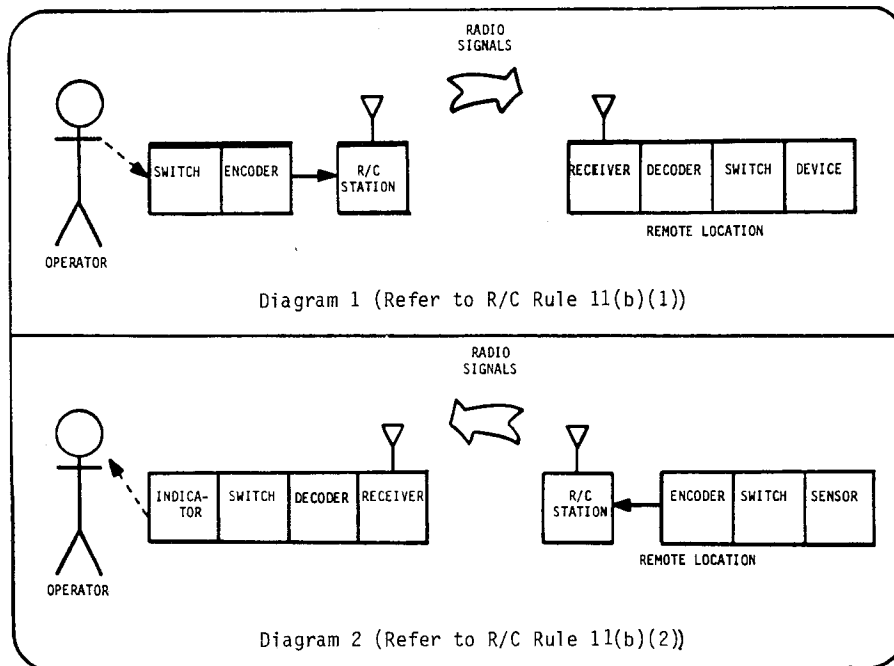
§ 95.211 (R/C Rule 11) What communications may be transmitted?

(a) You may only use your R/C station to transmit one-way communications. (One-way communications are transmissions which are not intended to establish communications with another station.)

(b) You may only use your R/C station for the following purposes:

(1) The operator turns on and/or off a device at a remote location (Refer to Diagram 1); or

(2) A sensor at a remote location turns on and/off an indicating device for the operator. (Refer to Diagram 2). Only Channels 26.995 to 27.255 MHz (see R/C Rule 7, § 95.207(a)(1)) may be used for this purpose. (A remote location means a place distant from the operator.)



(c) Your R/C station may transmit any appropriate non-voice emission.

[48 FR 24890, June 3, 1983, as amended at 50 FR 37857, Sept. 18, 1985; 57 FR 40343, Sept. 3, 1992]

§95.212 (R/C Rule 12) What communications are prohibited?

You must not use an R/C station—

- (a) In connection with any activity which is against federal, state or local law;
- (b) To transmit any message other than for operation of devices at remote locations (no voice, telegraphy, etc.);
- (c) To intentionally interfere with another station's transmissions;
- (d) To operate another R/C transmitter by remote control (See R/C Rule 17, §95.217); or
- (e) To transmit two-way communications.
- (f) To transmit data. Tone or other signal encoding, however, is not considered to be data when only used either for the purpose of identifying the specific device among multiple devices that the operator intends to turn on/

off, or the specific sensor among multiple sensors intended to turn on/off indicating device for the operator.

[48 FR 24890, June 3, 1983, as amended at 54 FR 8336, Feb. 28, 1989; 54 FR 20476, May 11, 1989]

§95.213 (R/C Rule 13) May I be paid to use my R/C station?

- (a) You may not accept direct or indirect payment for transmitting with an R/C station.
- (b) You may use an R/C station to help you provide a service, and be paid for that service, as long as you are paid only for the service and not for the actual use of the R/C station.

§95.214 (R/C Rule 14) Who is responsible for R/C communications I make?

You are responsible for all communications which are made by you from an R/C station.